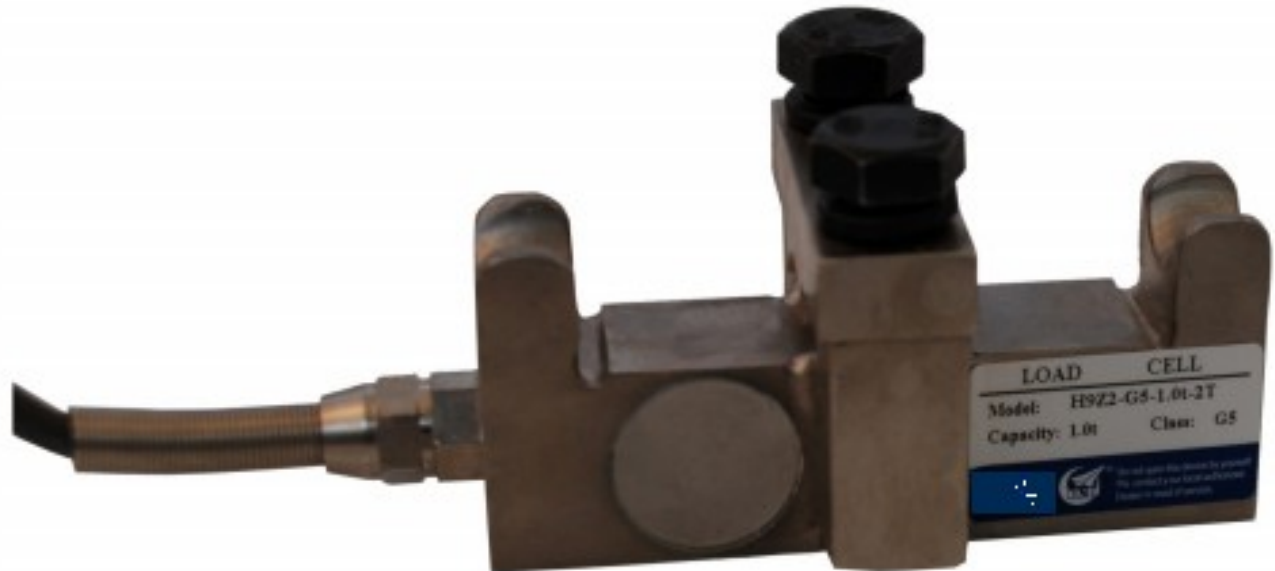


Seilzugkraft-Wägezelle, H9Z2



Short description



- Nickel plated alloy steel IP67 shear beam load cell
- Used on the hoist cable to monitor the weight lifted
- Suitable for measuring rope extension force

Available models

Capacity	Accuracy	Full article description
0.5t	G5	H9Z2-G5-0.5t-0.5T
1t	G5	H9Z2-G5-1t-0.5T
1.5t	G5	H9Z2-G5-1.5t-0.5T
2.5t	G5	H9Z2-G5-2.5t-0.5T
5t	G5	H9Z2-G5-5t-0.5T
10t	G5	H9Z2-G5-10t-0.5T

Detailed specifications H9Z2

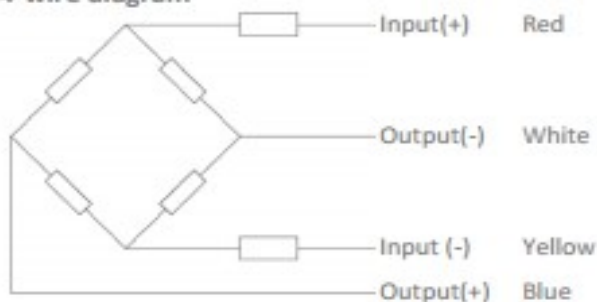
Accuracy class		G5		
Output sensitivity (= FS)	mV/V	0.8 ± 0.02	1.0 ± 0.02	
Maximum capacity (E _{max})	t	0.5, 1	1.5, 2.5, 5, 10	
Combined Error	%FS	≤± 0.5		
Temperature effect on zero	%FS/10°C	≤± 0.1		
Temperature effect on sensitivity	%FS/10°C	≤± 0.05		
Minimum dead load	Of E _{max}	0%		
Safe overload	of E _{max}	150 %		
Ultimate overload	of E _{max}	300 %		
Zero balance	of FS	< ± 2.0 %		
Excitation, recommended voltage	V	5 ~ 12		
Excitation maximum	V	18		
Input resistance	Ω	370 ± 10		
Output resistance	Ω	350 ± 3.5		
Insulation resistance	MΩ	≥5000 (at 50VDC)		
Compensated temperature	°C	-10 ~ +40		
Operating temperature	°C	-35 ~ +65		
Storage temperature	°C	-40 ~ +80		
Element material		Nickel plated alloy steel		
Ingress Protection (acc. to EN 60529)		IP67		
ATEX classification (optional)		II1G Ex ia II1C T4	II1D Ex iaD 20 T73°C	II3G nL IIC T4

Wiring

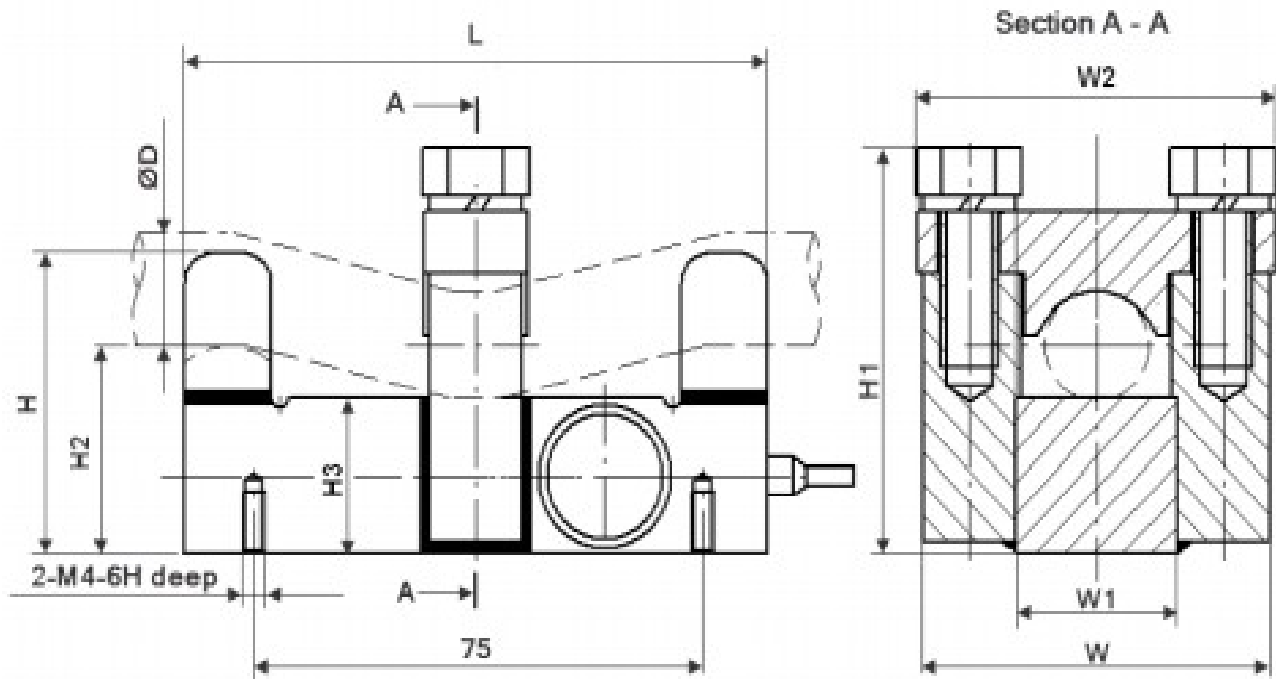
Wiring:

Shielded, 4 conductor cable.
Cable diameter: 5mm.
Standard cable length: 0.5m.
Shield not connected to element.

4-wire diagram



Dimensions in mm



Dimension Capacity	L	W	W1	W2	H	H1	H2	H3	ØD
0.5t	95	50	20	52	40	52	33.3	25	7.4
1t	95	50	20	52	40	54.8	33.3	25	11
1.5t	95	52	22	54	43	58.4	32.8	25	13
2.5t	95	52	22	54	43	60	32.8	25	15
5t	101	58	28	60	48.5	66	33.5	25	18
10t	130	64	34	66	55	74	38.5	30	20